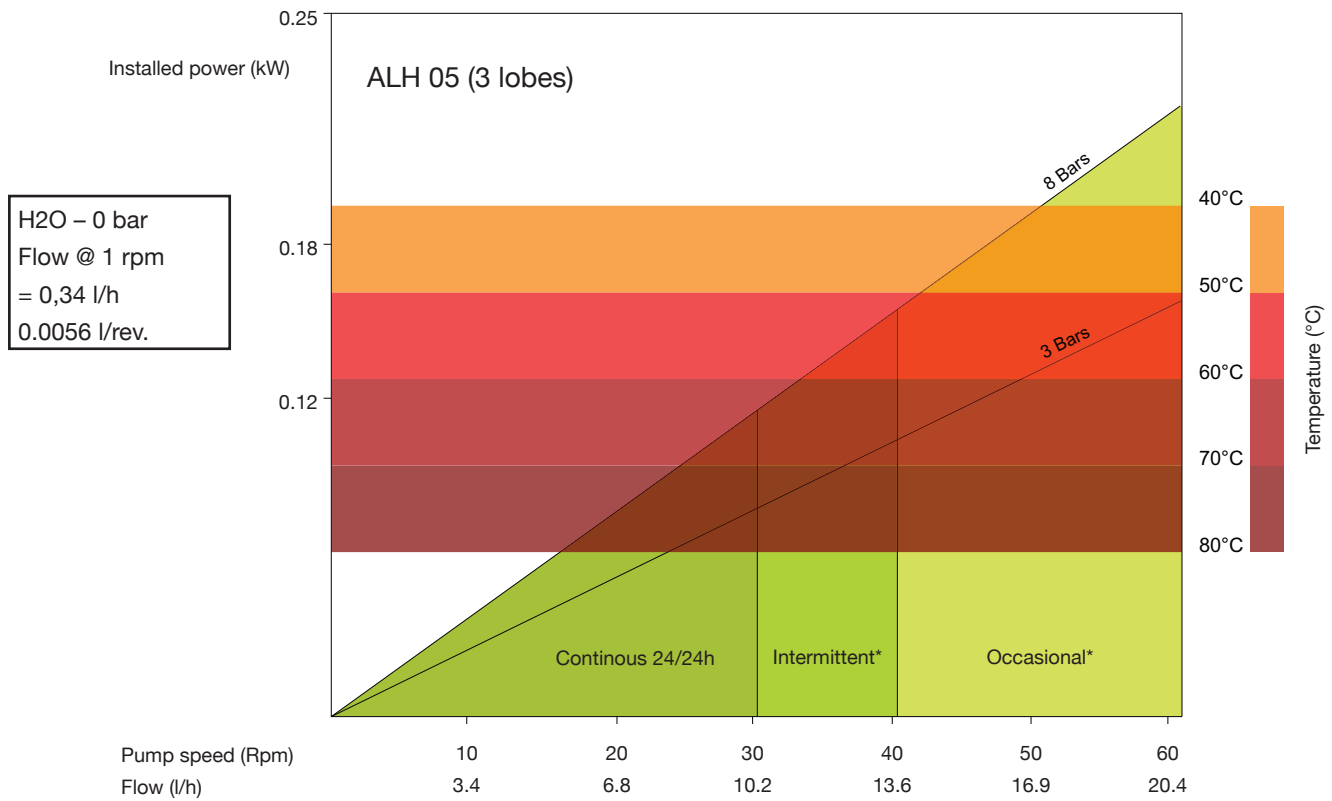
The background features several thick, curved, olive-green lines that sweep across the page from the left side towards the right, creating a sense of motion and flow.

**ALBIN PUMP ALH**  
**HOSE PUMPS**  
**TECHNICAL DATASHEETS**

# ALH05 - 3 LOBES - DATA SHEET

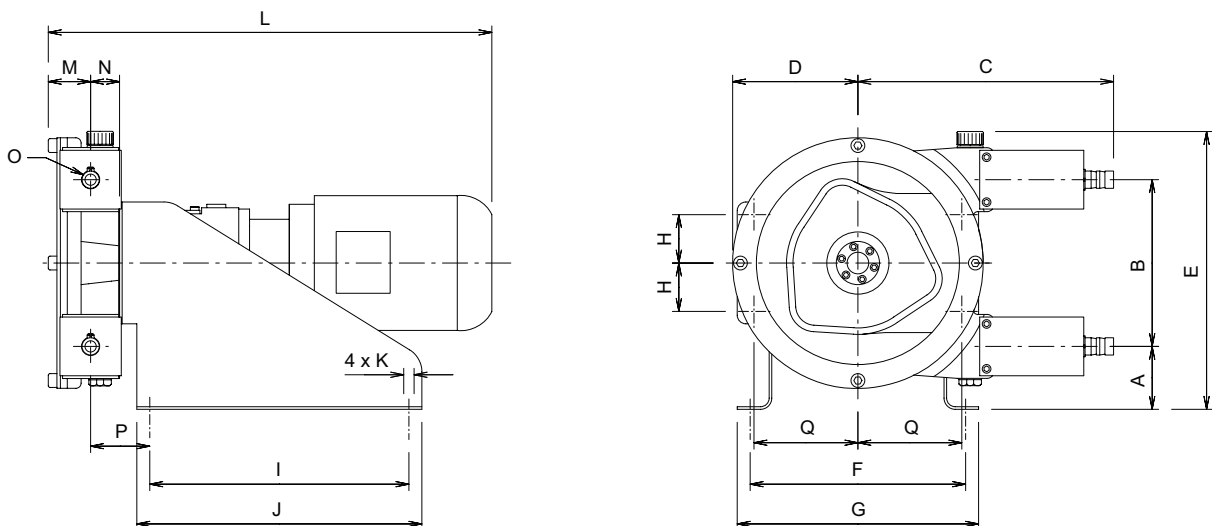
# ALH

albin  
pump  
since 1928



\*Intermittent use : minimum one hour stop after 2 hours run / \*Occasional use : maximum one hour a day

## DIMENSIONS



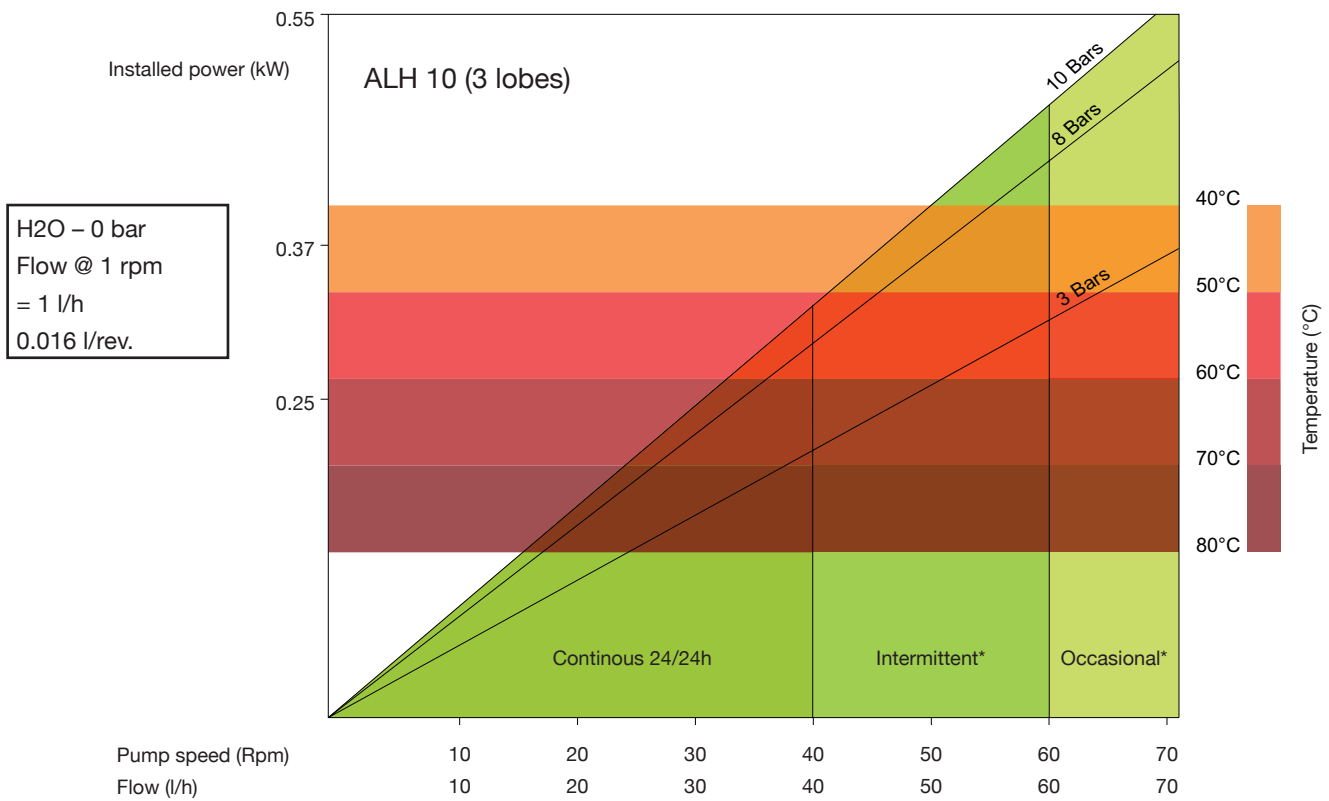
TYPE	A	B	C	D	E	F	G	H	I	J	K	L	M	N	O	P	Q
ALH 05	103,5	115	225,5	95	271	220	240	33,5	260	280	4xø9	-	43,5	34,5	ø16 *	64,5	81,25

\* Hose tail

# ALH10 - 3 LOBES - DATA SHEET

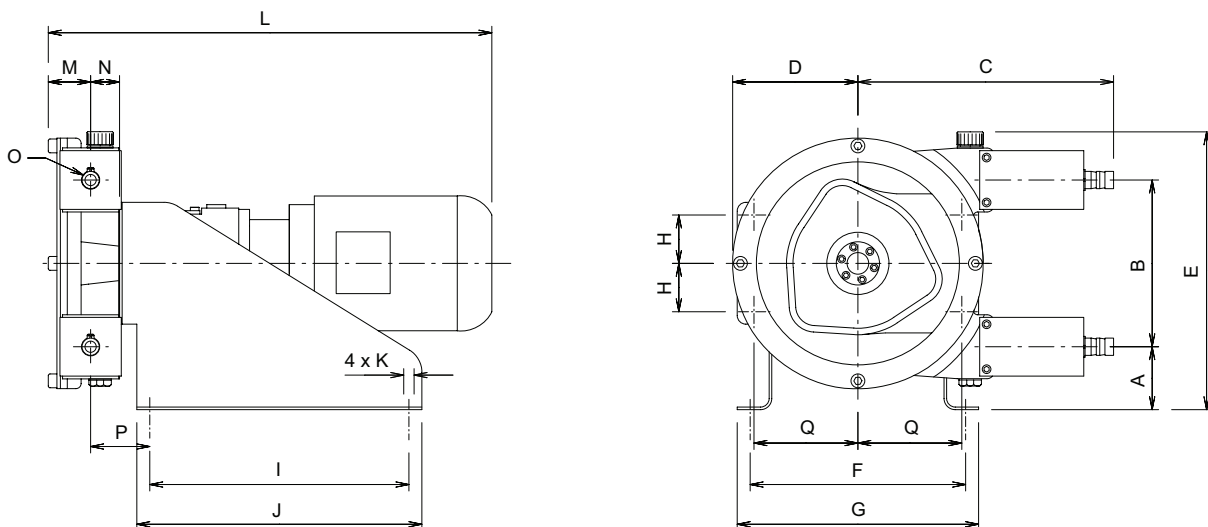
# ALH

albin  
pump  
since 1928



\*Intermittent use : minimum one hour stop after 2 hours run / \*Occasional use : maximum one hour a day

## DIMENSIONS



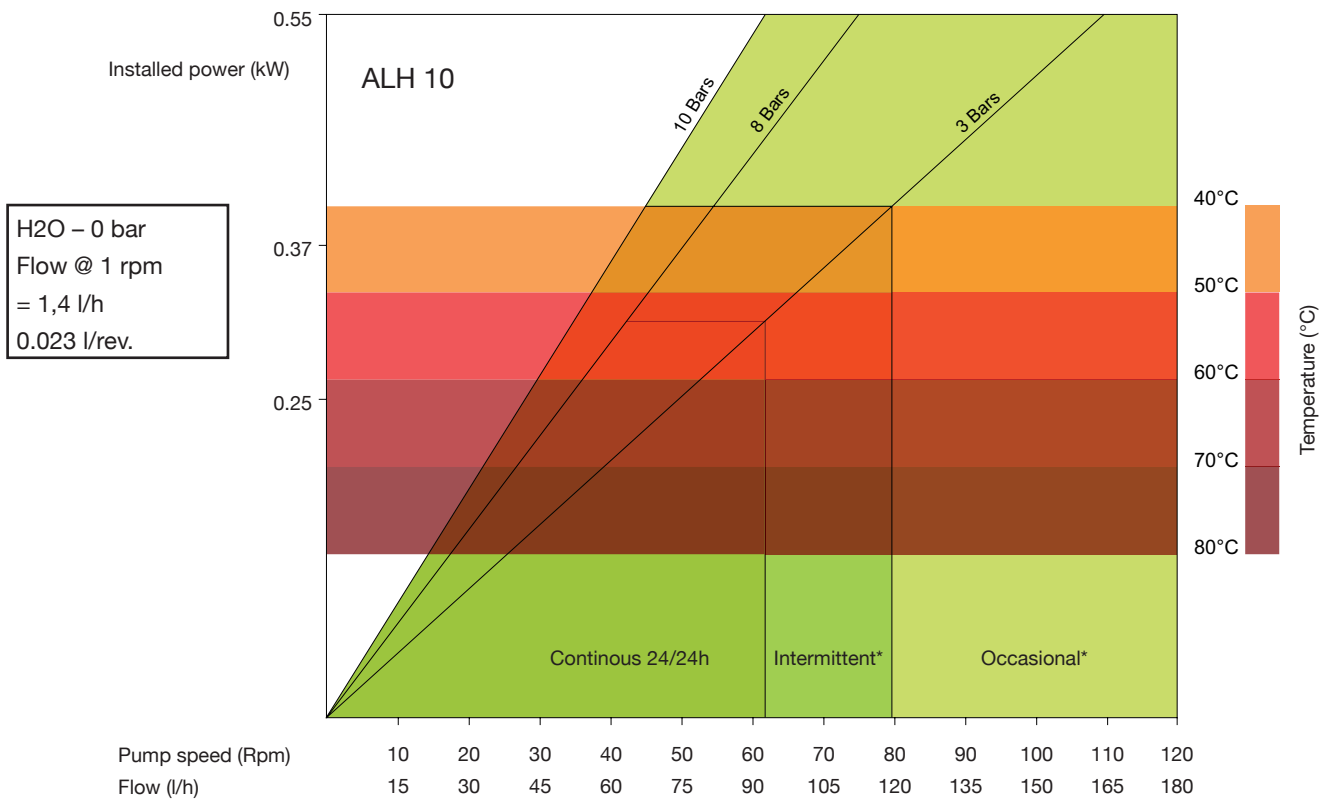
TYPE	A	B	C	D	E	F	G	H	I	J	K	L	M	N	O	P	Q
ALH 10	103,5	115	225,5	95	271	220	240	33,5	260	280	4xø9	-	43,5	34,5	ø16 *	64,5	81,25

\* Hose tail

# ALH10 - DATA SHEET

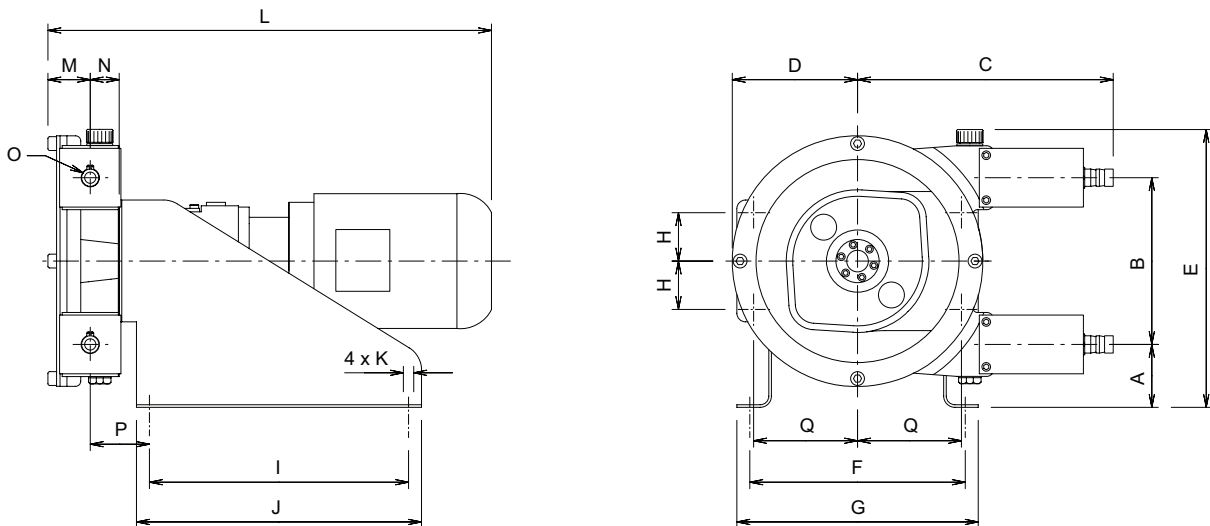
# ALH

albin  
pump  
since 1928



\*Intermittent use : minimum one hour stop after 2 hours run / \*Occasional use : maximum one hour a day

## DIMENSIONS



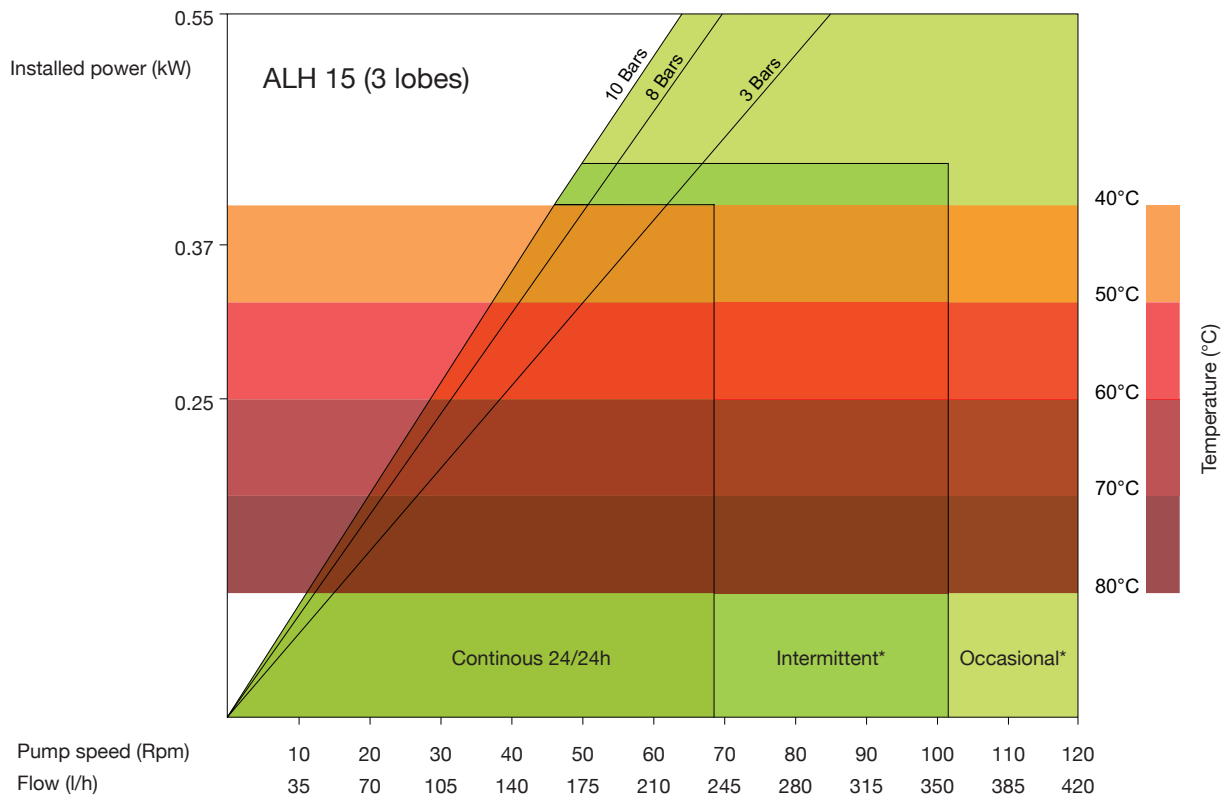
TYPE	A	B	C	D	E	F	G	H	I	J	K	L	M	N	O	P	Q
ALH 10	103,5	115	225,5	95	271	220	240	33,5	260	280	4xø9	-	43,5	34,5	ø16 *	64,5	81,25

\* Hose tail

# ALH15 - 3 LOBES - DATA SHEET

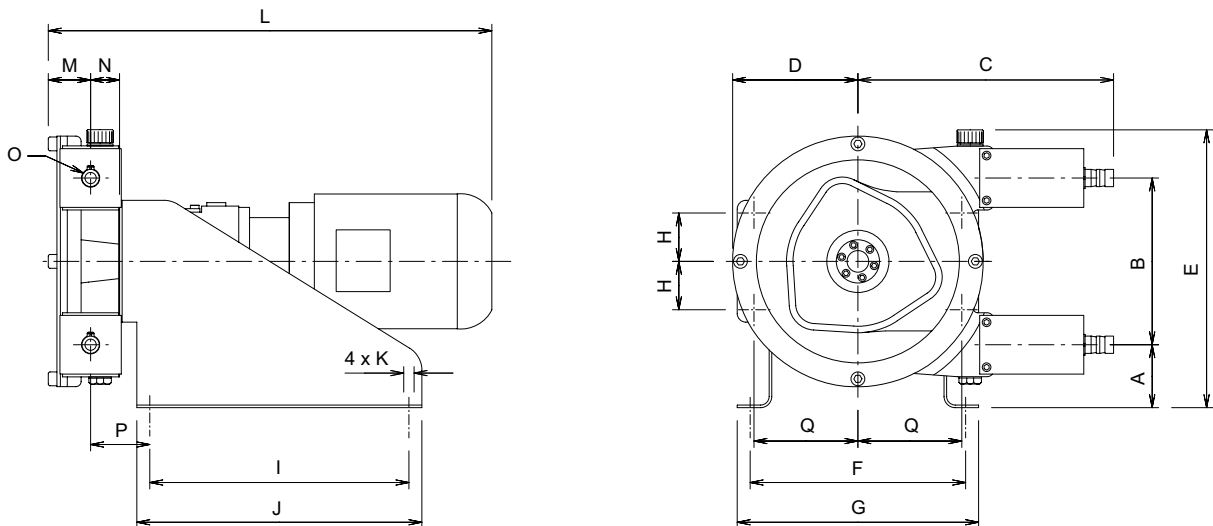
# ALH

albin  
pump  
since 1928



\*Intermittent use : minimum one hour stop after 2 hours run / \*Occasional use : maximum one hour a day

## DIMENSIONS



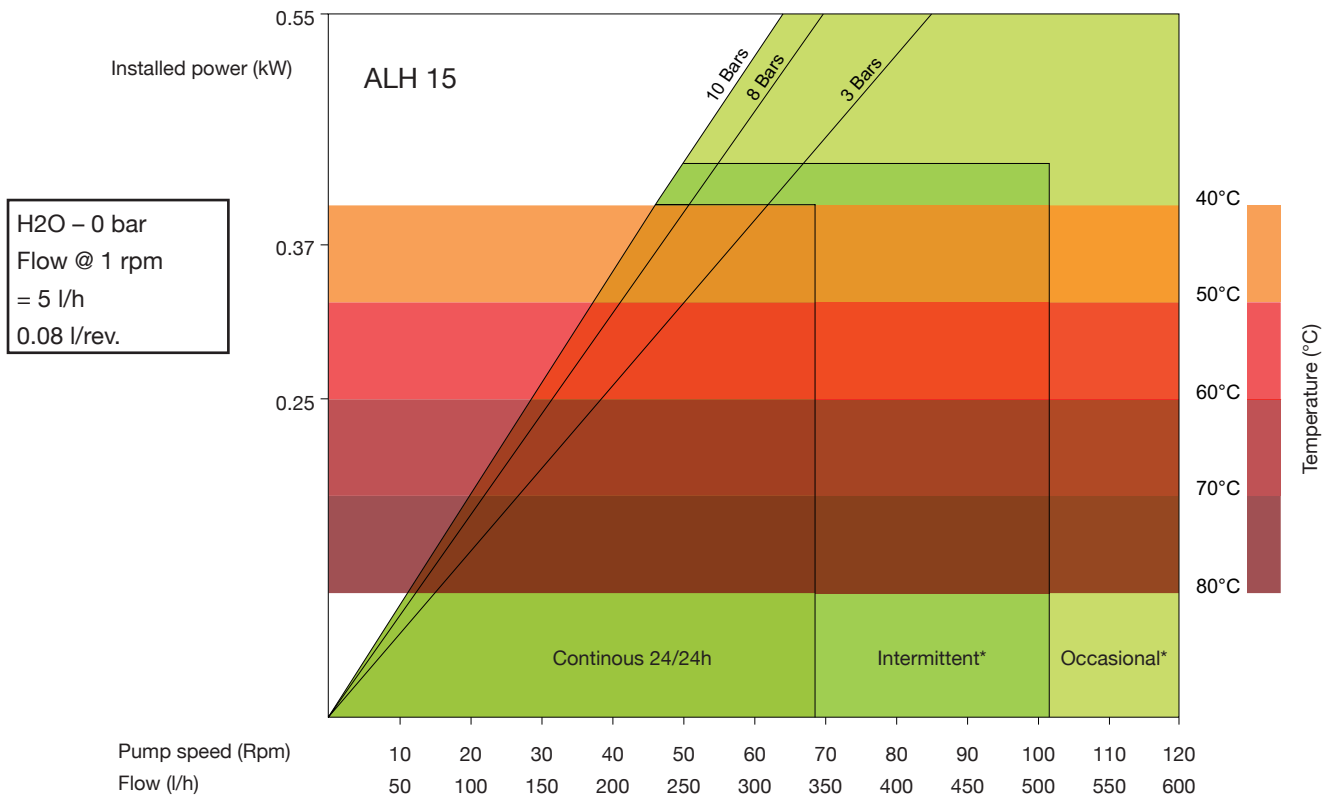
TYPE	A	B	C	D	E	F	G	H	I	J	K	L	M	N	O	P	Q
ALH 15	73	193	296	145	322	250	280	51,5	300	330	4xø13	-	49	35,5	ø20 *	70,5	124,75

\* Hose tail

# ALH15 - DATA SHEET

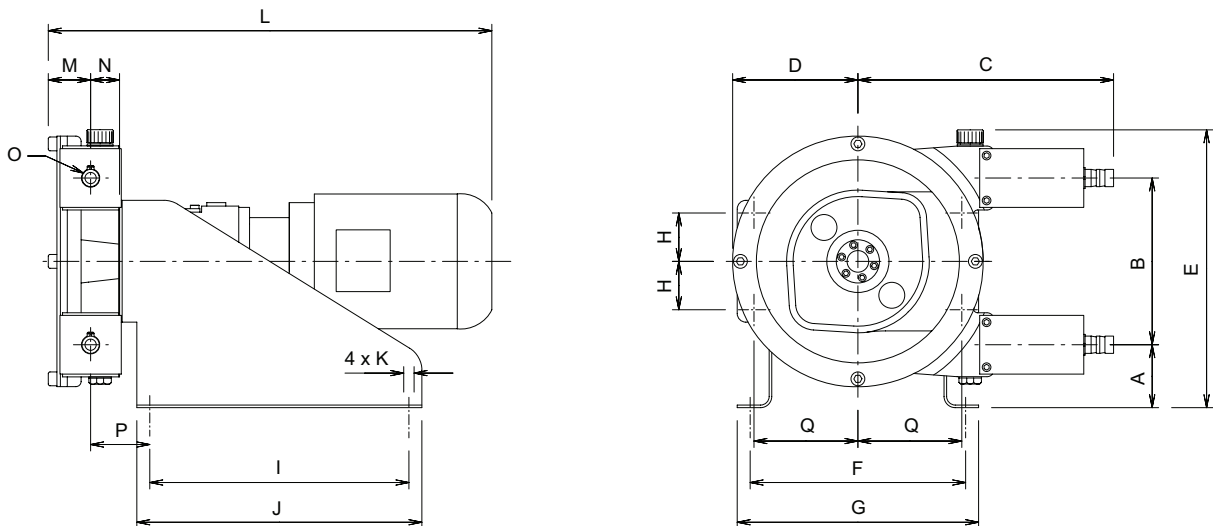
# ALH

albin  
pump  
since 1928



\*Intermittent use : minimum one hour stop after 2 hours run / \*Occasional use : maximum one hour a day

## DIMENSIONS



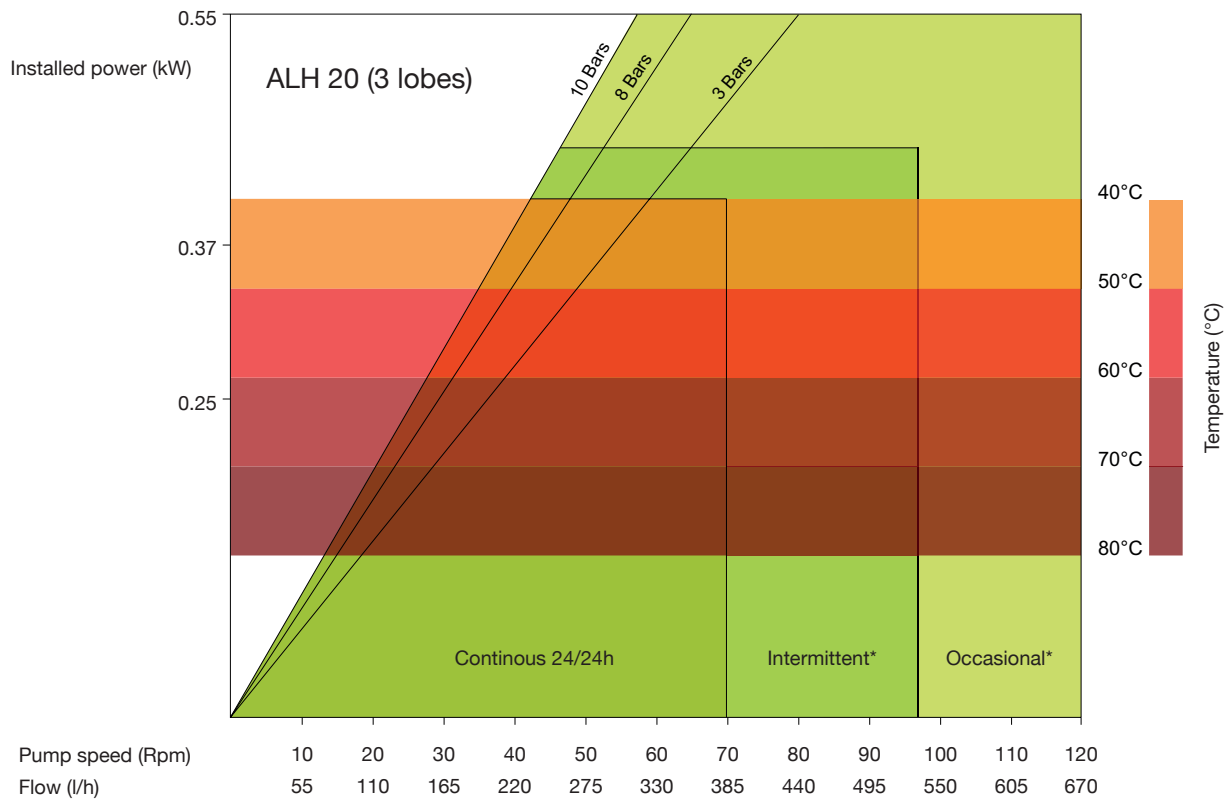
TYPE	A	B	C	D	E	F	G	H	I	J	K	L	M	N	O	P	Q
ALH 15	73	193	296	145	322	250	280	51,5	300	330	4xø13	-	49	35,5	ø20 *	70,5	124,75

\* Hose tail

# ALH20 - 3 LOBES - DATA SHEET

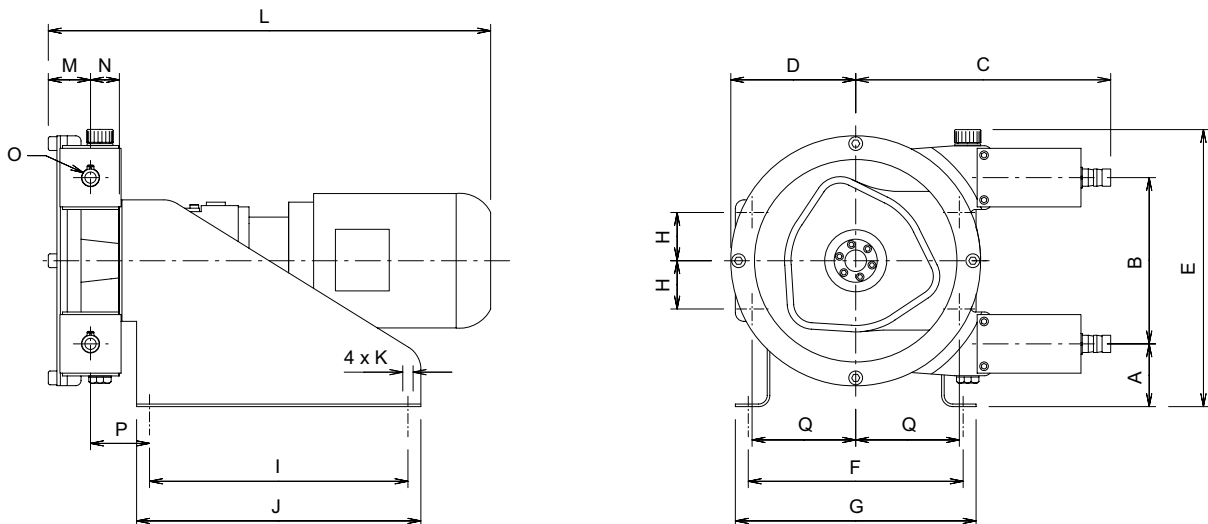
# ALH

albin  
pump  
since 1928



\*Intermittent use : minimum one hour stop after 2 hours run / \*Occasional use : maximum one hour a day

## DIMENSIONS



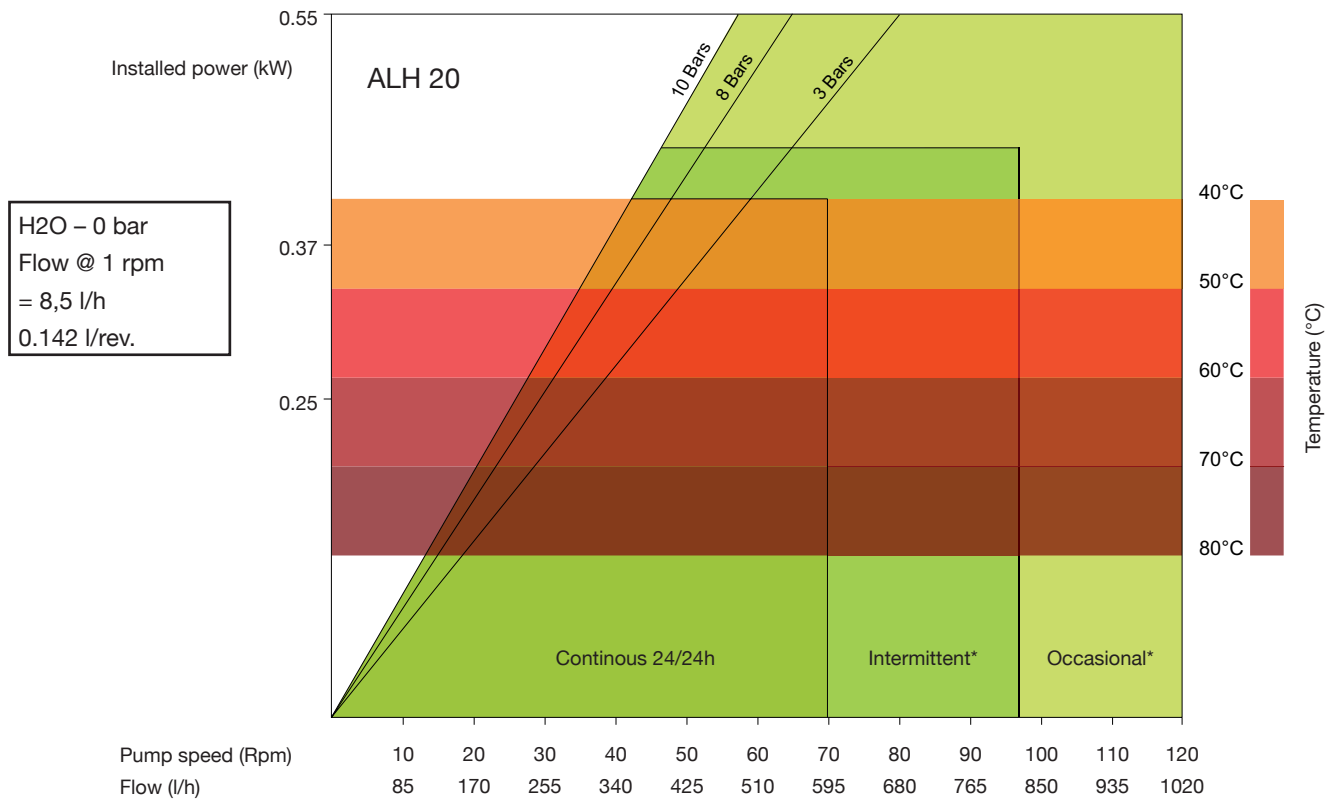
TYPE	A	B	C	D	E	F	G	H	I	J	K	L	M	N	O	P	Q
ALH 20	73	193	296	145	322	250	280	51,5	300	330	4xø13	-	49	35,5	ø25 *	70,5	124,75

\* Hose tail

# ALH20 - DATA SHEET

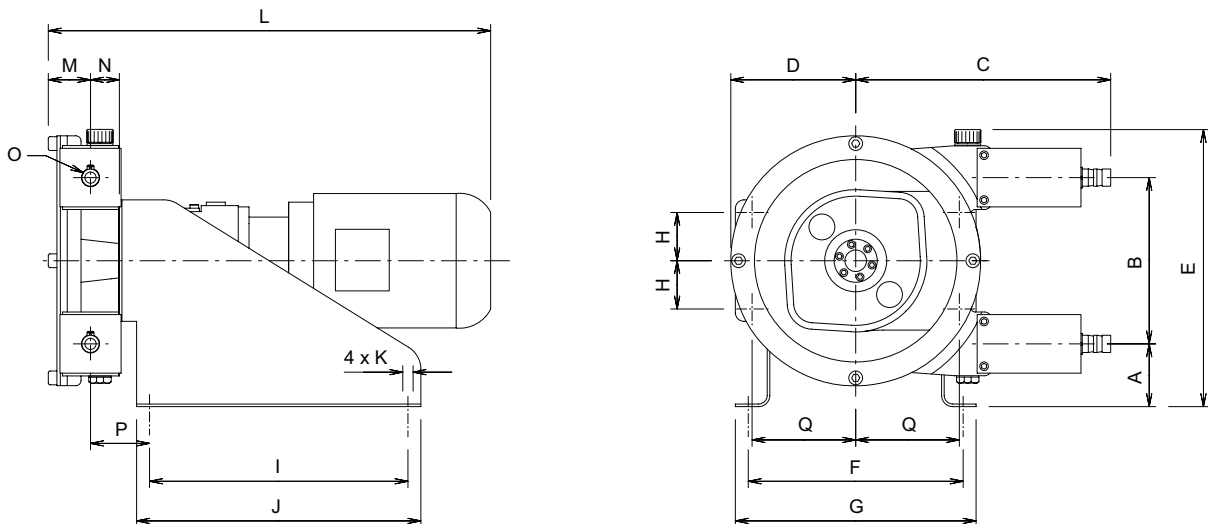
# ALH

albin  
pump  
since 1928



\*Intermittent use : minimum one hour stop after 2 hours run / \*Occasional use : maximum one hour a day

## DIMENSIONS



TYPE	A	B	C	D	E	F	G	H	I	J	K	L	M	N	O	P	Q
ALH 20	73	193	296	145	322	250	280	51,5	300	330	4xø13	-	49	35,5	ø25 *	70,5	124,75

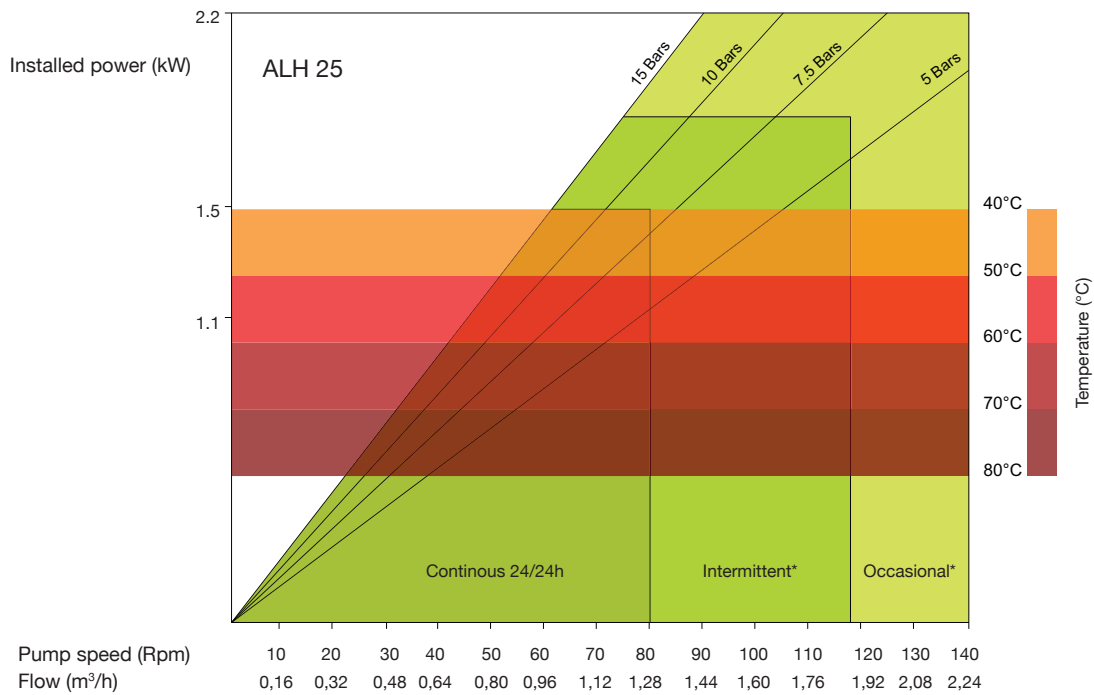
\* Hose tail



# ALH25 - DATA SHEET

# ALH

albin  
pump  
since 1928

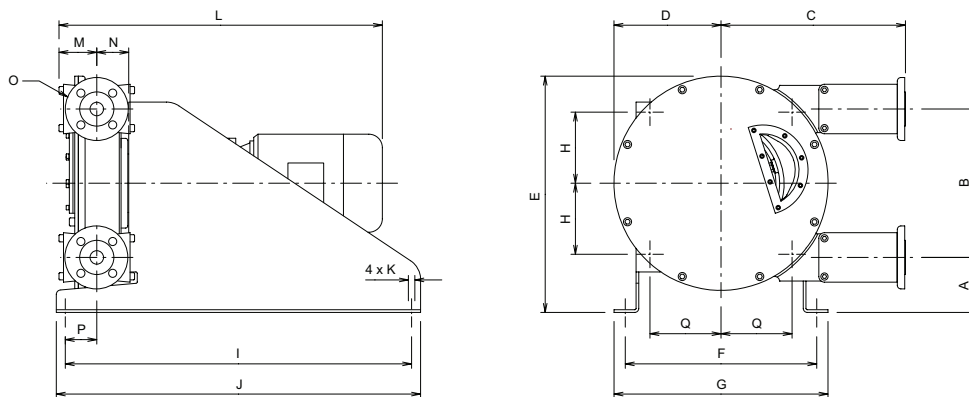


\*Intermittent use : minimum one hour stop after 2 hours run / \*Occasional use : maximum one hour a day

SHOE SHIMMING TABLE - ALH 25		
Pressure bar (psi)	Speed - Rpm	Number of shims - thickness 0.5 mm
$\Delta P \leq 5$ (72,5)	0 to 40	0
	40 to 160	0
$5$ (72,5) $\leq \Delta P \leq 7,5$ (108,75)	0 to 40	2
	40 to 125	1
$7,5$ (108,75) $\leq \Delta P \leq 10$ (145)	0 to 40	3
	40 to 105	2
$10$ (145) $\leq \Delta P \leq 15$ (217,5)	0 to 40	4
	40 to 90	3

**Beware :** remove one shim if temperature exceeds 60° Celsius (140° Fahrenheit)

## DIMENSIONS

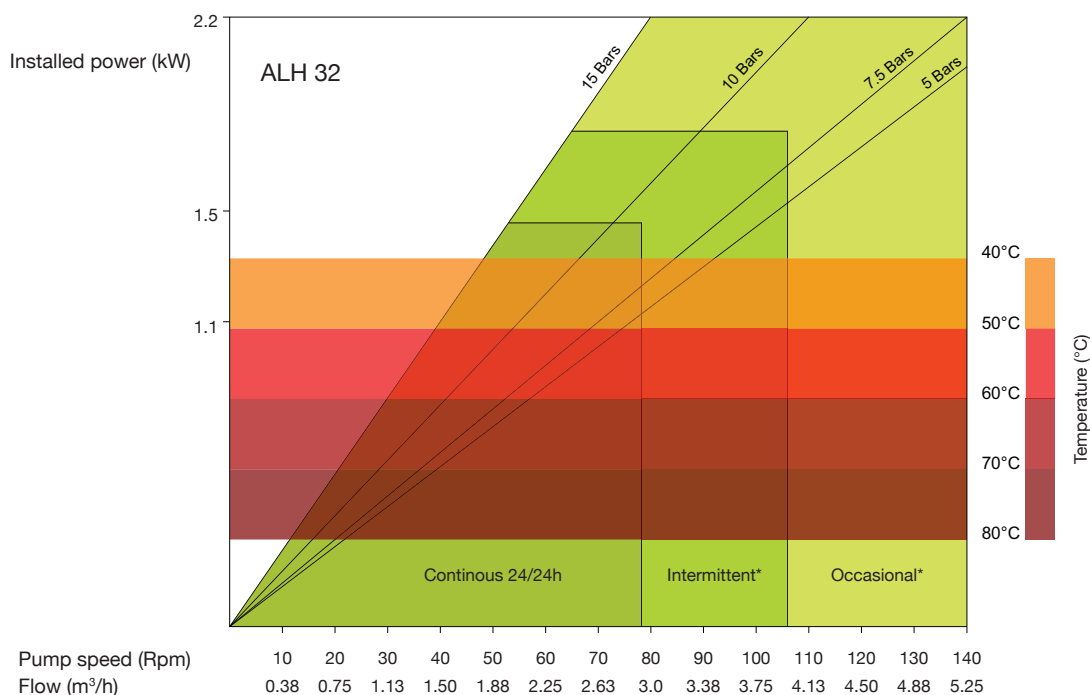


TYPE	A	B	C	D	E	F	G	H	I	J	K	L	M	N	O	P	Q
ALH 25	95	262	312	190	416	312	352	110	560	600	4xø13	-	65	69	DN25 PN16	69	110

# ALH32 - DATA SHEET

# ALH

albin  
pump  
since 1928

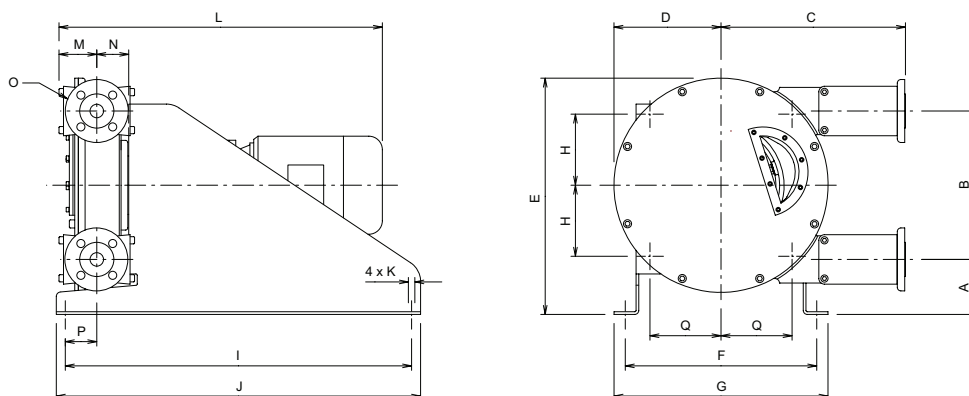


\*Intermittent use : minimum one hour stop after 2 hours run / \*Occasional use : maximum one hour a day

SHOE SHIMMING TABLE - ALH 32		
Pressure bar (psi)	Speed - Rpm	Number of shims - thickness 0.5 mm
$\Delta P \leq 5$ (72,5)	0 to 45	0
	40 to 140	0
$5$ (72,5) $\leq \Delta P \leq 7,5$ (108,75)	0 to 40	2
	45 to 140	1
$7,5$ (108,75) $\leq \Delta P \leq 10$ (145)	0 to 40	3
	45 to 110	2
$10$ (145) $\leq \Delta P \leq 15$ (217,5)	0 to 40	4
	45 to 80	3

**Beware :** remove one shim if temperature exceeds 60° Celsius (140° Fahrenheit)

## DIMENSIONS

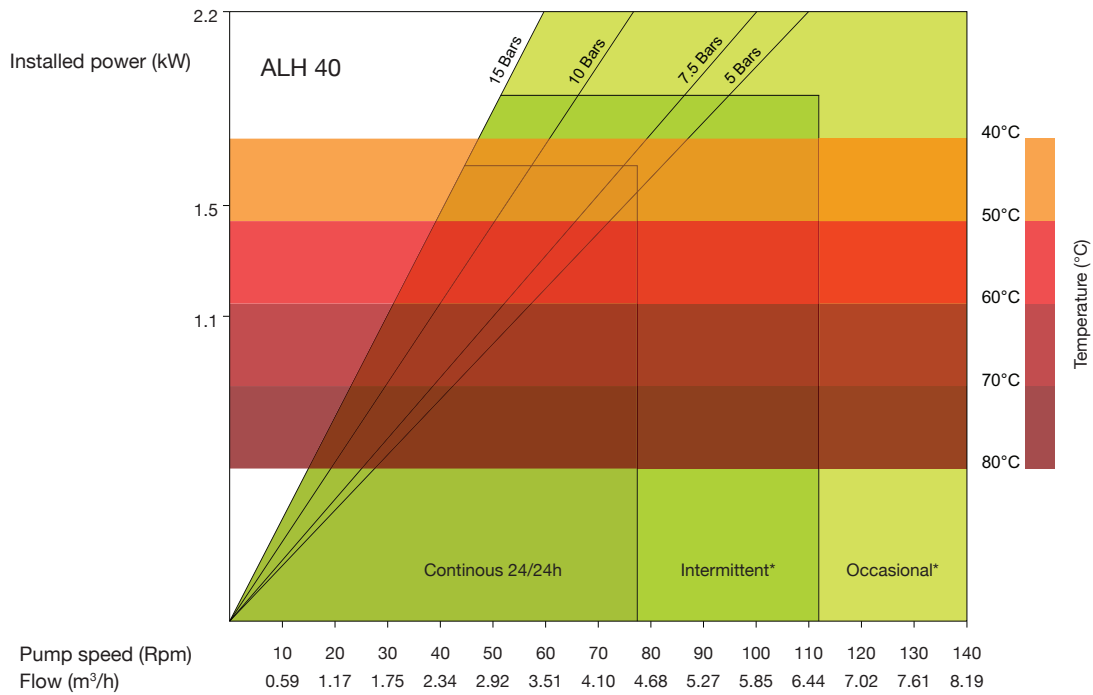


TYPE	A	B	C	D	E	F	G	H	I	J	K	L	M	N	O	P	Q
ALH 32	122,5	330	435,5	238	525,5	426	476	157,75	770	810	4xø13	-	83	89	DN32 PN16	91	157,75

# ALH40 - DATA SHEET

# ALH

albin  
pump  
since 1928

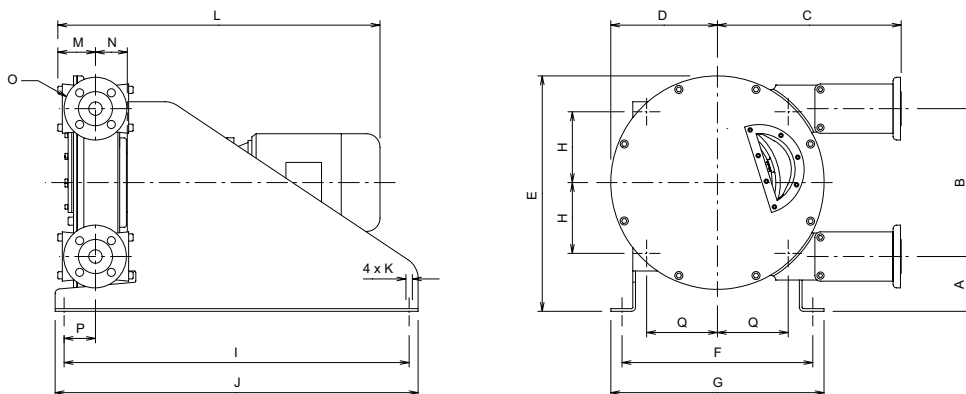


\*Intermittent use : minimum one hour stop after 2 hours run / \*Occasional use : maximum one hour a day

SHOE SHIMMING TABLE - ALH 40		
Pressure bar (psi)	Speed - Rpm	Number of shims - thickness 0.5 mm
$\Delta P \leq 5$ (72,5)	0 to 40	0
	40 to 160	0
$5$ (72,5) $\leq \Delta P \leq 7,5$ (108,75)	0 to 40	2
	40 to 125	1
$7,5$ (108,75) $\leq \Delta P \leq 10$ (145)	0 to 40	3
	40 to 105	2
$10$ (145) $\leq \Delta P \leq 15$ (217,5)	0 to 40	4
	40 to 90	3

**Beware :** remove one shim if temperature exceeds 60° Celsius (140° Fahrenheit)

## DIMENSIONS

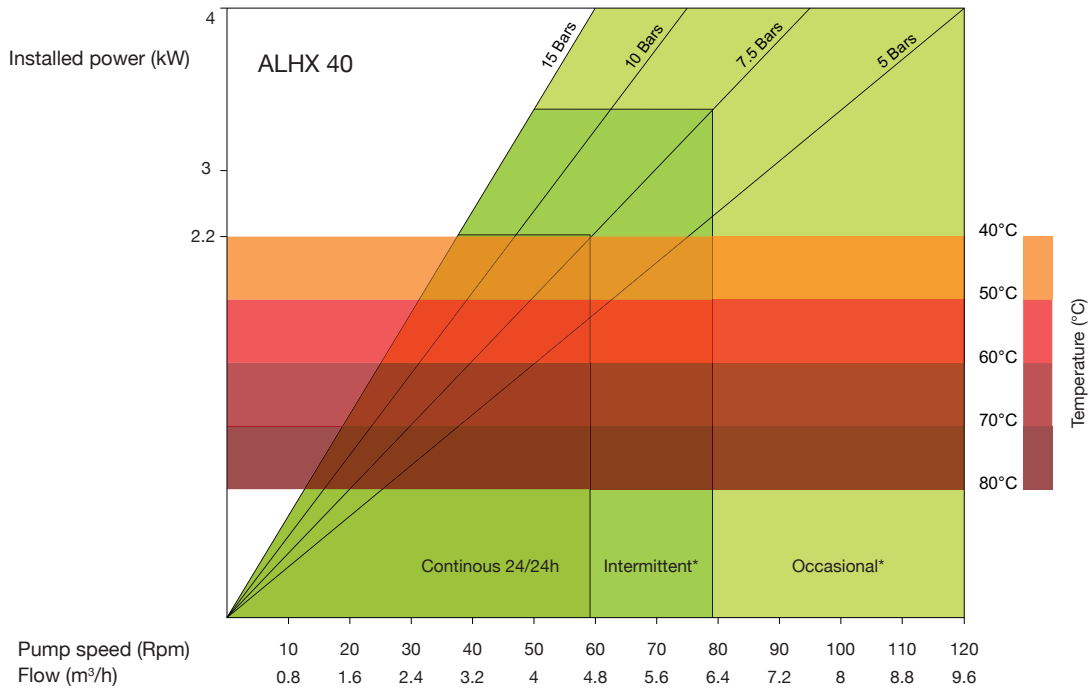


TYPE	A	B	C	D	E	F	G	H	I	J	K	L	M	N	O	P	Q
ALH 40	122,5	330	435,5	238	525,5	426	476	157,75	770	810	4xø13	-	83	89	DN40 PN16	91	157,75

# ALHX40 - DATA SHEET

# ALH

albin  
pump  
since 1928

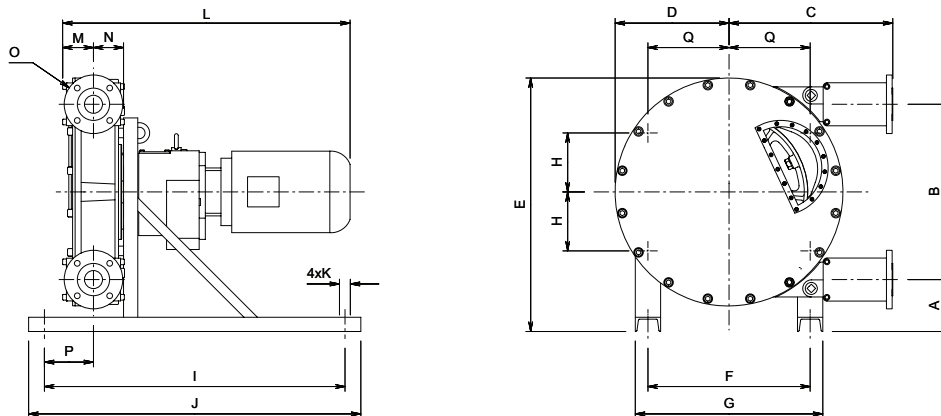


\*Intermittent use : minimum one hour stop after 2 hours run / \*Occasional use : maximum one hour a day

SHOE SHIMMING TABLE - ALHX 40		
Pressure bar (psi)	Speed - Rpm	Number of shims - thickness 0.5 mm
$\Delta P \leq 5$ (72,5)	0 to 55	0
	40 to 120	0
$5$ (72,5) $\leq \Delta P \leq 7,5$ (108,75)	0 to 55	2
	40 to 95	1
$7,5$ (108,75) $\leq \Delta P \leq 10$ (145)	0 to 55	3
	40 to 75	2
$10$ (145) $\leq \Delta P \leq 15$ (217,5)	0 to 55	4
	40 to 60	3

**Beware :** remove one shim if temperature exceeds 60° Celsius (140° Fahrenheit)

## DIMENSIONS

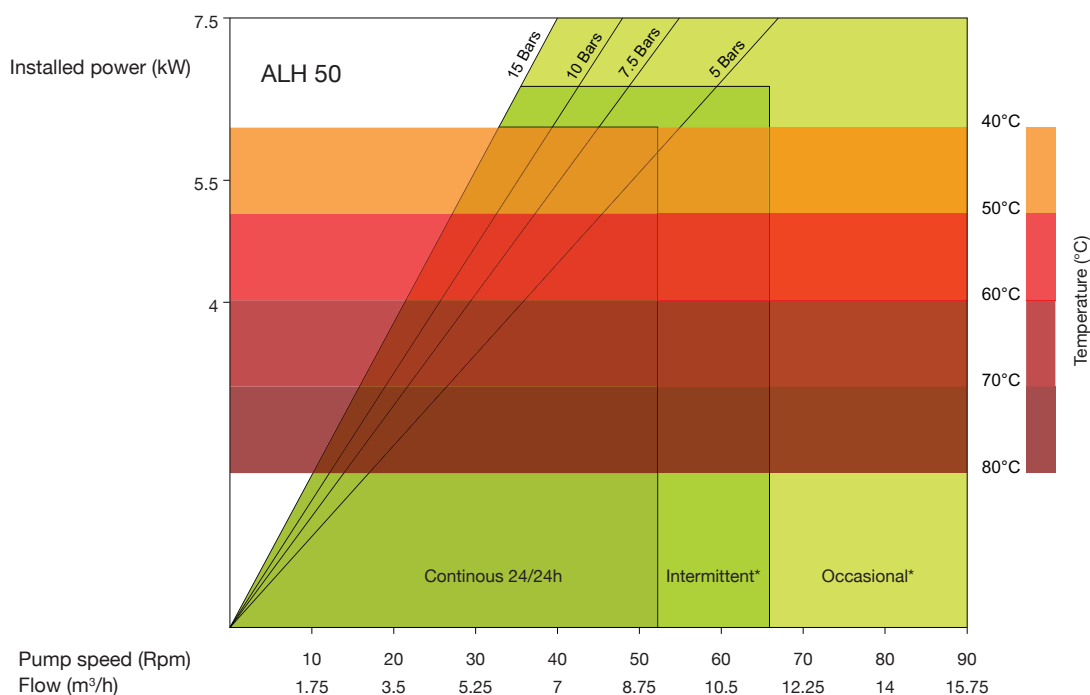


TYPE	A	B	C	D	E	F	G	H	I	J	K	L	M	N	O	P	Q
ALHX 40	110	430	400	291	616	340	420	170	850	950	4xø19	-	73	88	DN40 PN16	87	170

# ALH50 - DATA SHEET

# ALH

albin  
pump  
since 1928

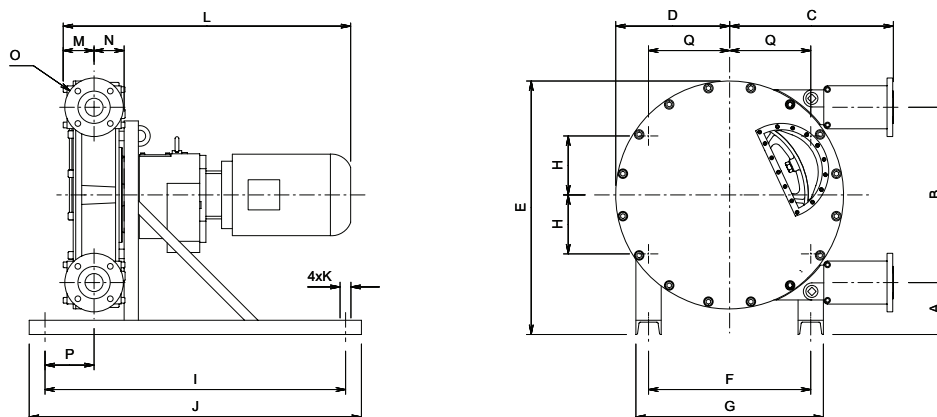


\*Intermittent use : minimum one hour stop after 2 hours run / \*Occasional use : maximum one hour a day

SHOE SHIMMING TABLE - ALH 50		
Pressure bar (psi)	Speed - Rpm	Number of shims - thickness 0,5 mm
$\Delta P \leq 5$ (72,5)	0 to 30	0
	30 to 100	0
$5$ (72,5) $\leq \Delta P \leq 7,5$ (108,75)	0 to 30	2
	30 to 65	1
$7,5$ (108,75) $\leq \Delta P \leq 10$ (145)	0 to 30	3
	30 to 50	2
$10$ (145) $\leq \Delta P \leq 15$ (217,5)	0 to 30	4
	30 to 42	3

**Beware :** remove one shim if temperature exceeds 60° Celsius (140° Fahrenheit)

## DIMENSIONS

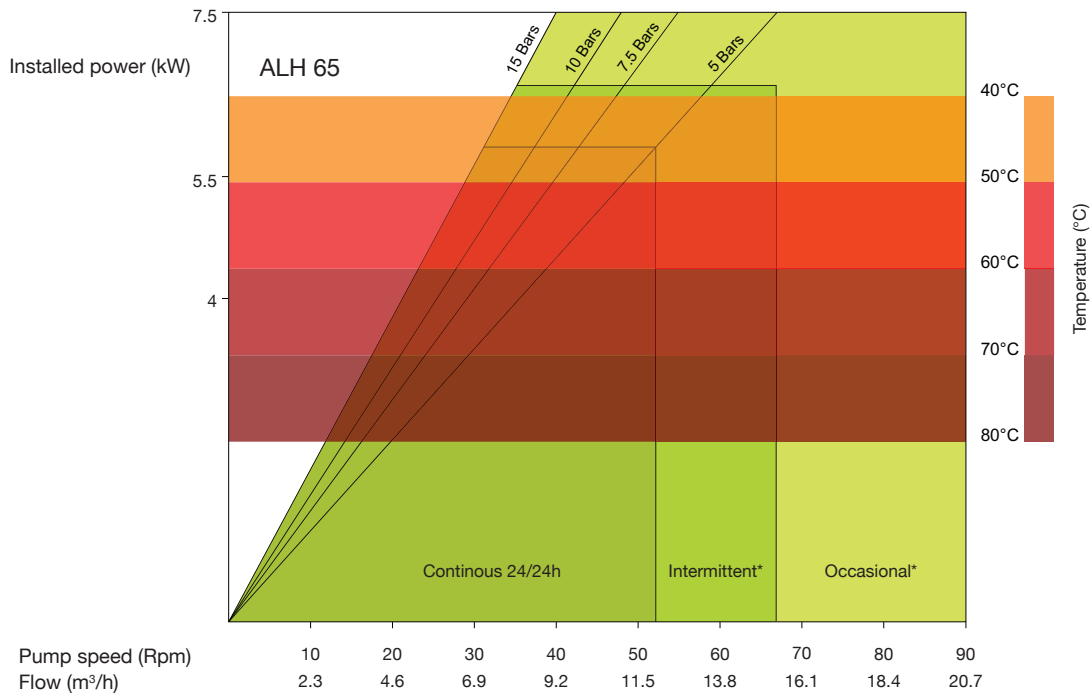


TYPE	A	B	C	D	E	F	G	H	I	J	K	L	M	N	O	P	Q
ALH 50	164,5	554	517,5	360	801,5	513	593	186	950	1050	4xø19	-	97,5	102	DN50 PN16	162	256,5

# ALH65 - DATA SHEET

# ALH

albin pump  
since 1928

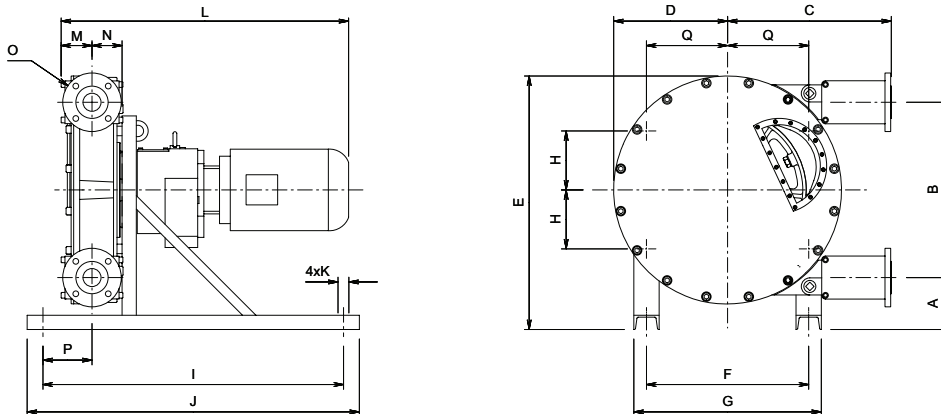


\*Intermittent use : minimum one hour stop after 2 hours run / \*Occasional use : maximum one hour a day

SHOE SHIMMING TABLE - ALH 65		
Pressure bar (psi)	Speed - Rpm	Number of shims - thickness 0.5 mm
$\Delta P \leq 5$ (72,5)	0 to 30	0
	30 to 90	0
$5$ (72,5) $\leq \Delta P \leq 7,5$ (108,75)	0 to 30	2
	30 to 55	1
$7,5$ (108,75) $\leq \Delta P \leq 10$ (145)	0 to 30	3
	30 to 47,5	2
$10$ (145) $\leq \Delta P \leq 15$ (217,5)	0 to 30	4
	30 to 40	3

**Beware :** remove one shim if temperature exceeds 60° Celsius (140° Fahrenheit)

## DIMENSIONS



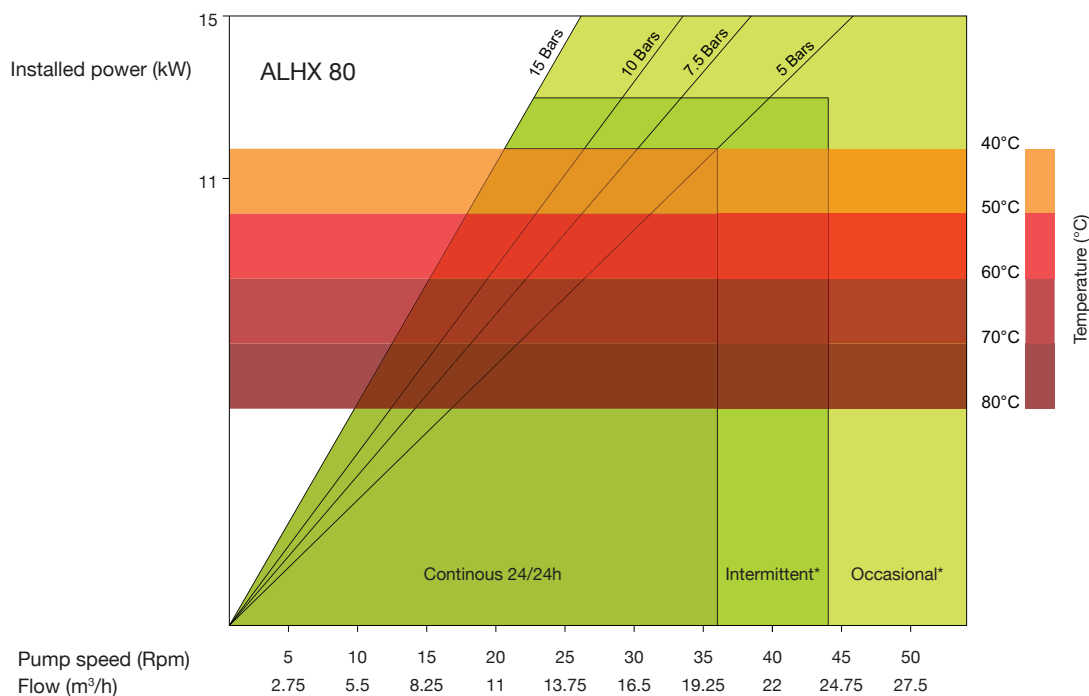
TYPE	A	B	C	D	E	F	G	H	I	J	K	L	M	N	O	P	Q
ALH 65	164,5	554	517,5	360	801,5	513	593	186	950	1050	4xø19	-	97,5	102	DN65 PN16	162	256,5

\* Inserts cannelés

# ALHX80 - DATA SHEET

# ALH

albin  
pump  
since 1928

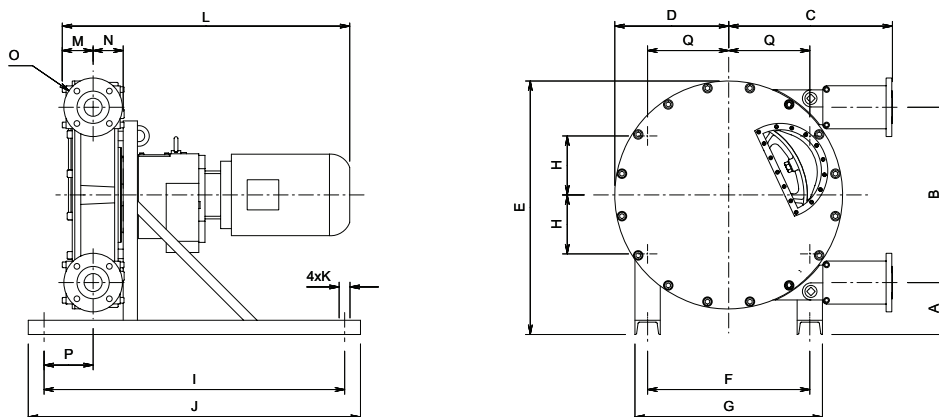


\*Intermittent use : minimum one hour stop after 2 hours run / \*Occasional use : maximum one hour a day

SHOE SHIMMING TABLE - ALHX 80		
Pressure bar (psi)	Speed - Rpm	Number of shims - thickness 0.5 mm
$\Delta P \leq 5$ (72,5)	0 to 25	0
	25 to 65	0
$5$ (72,5) $\leq \Delta P \leq 7,5$ (108,75)	0 to 25	2
	25 to 46	1
$7,5$ (108,75) $\leq \Delta P \leq 10$ (145)	0 to 25	3
	25 to 40	2
$10$ (145) $\leq \Delta P \leq 15$ (217,5)	0 to 25	4
	25 to 31	3

**Beware :** remove one shim if temperature exceeds 60° Celsius (140° Fahrenheit)

## DIMENSIONS

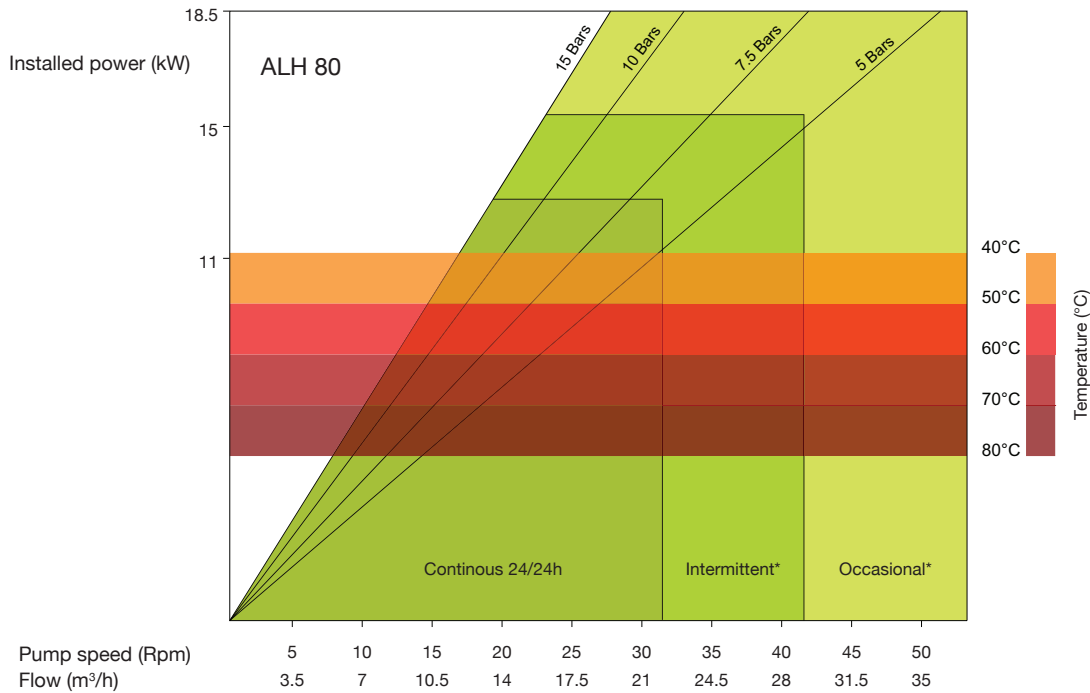


TYPE	A	B	C	D	E	F	G	H	I	J	K	L	M	N	O	P	Q
ALHX 80	158	746	604	473	1004	580	680	290	1150	1250	4xø19	-	129	133	DN80 PN16	167	290

# ALH80 - DATA SHEET

# ALH

albin  
pump  
since 1928

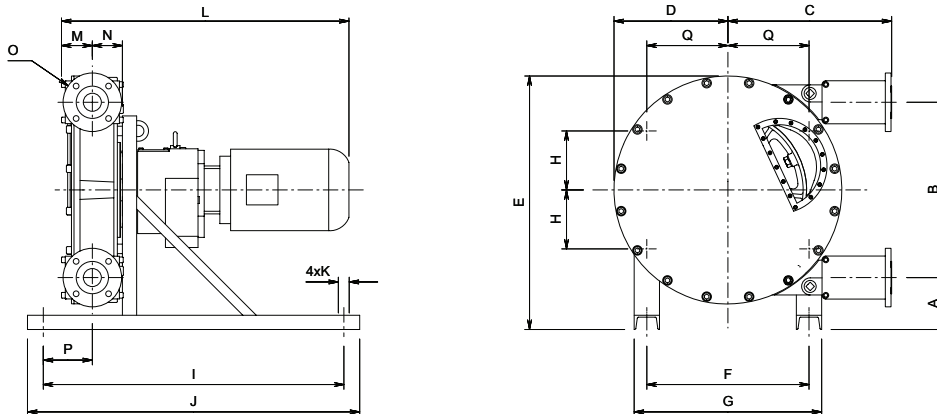


\*Intermittent use : minimum one hour stop after 2 hours run / \*Occasional use : maximum one hour a day

SHOE SHIMMING TABLE - ALH 80		
Pressure bar (psi)	Speed - Rpm	Number of shims - thickness 0.5 mm
$\Delta P \leq 5$ (72,5)	0 to 20	0
	20 to 60	0
$5$ (72,5) $\leq \Delta P \leq 7,5$ (108,75)	0 to 20	2
	20 to 47	1
$7,5$ (108,75) $\leq \Delta P \leq 10$ (145)	0 to 20	3
	20 to 37	2
$10$ (145) $\leq \Delta P \leq 15$ (217,5)	0 to 20	4
	20 to 31	3

**Beware :** remove one shim if temperature exceeds 60° Celsius (140° Fahrenheit)

## DIMENSIONS



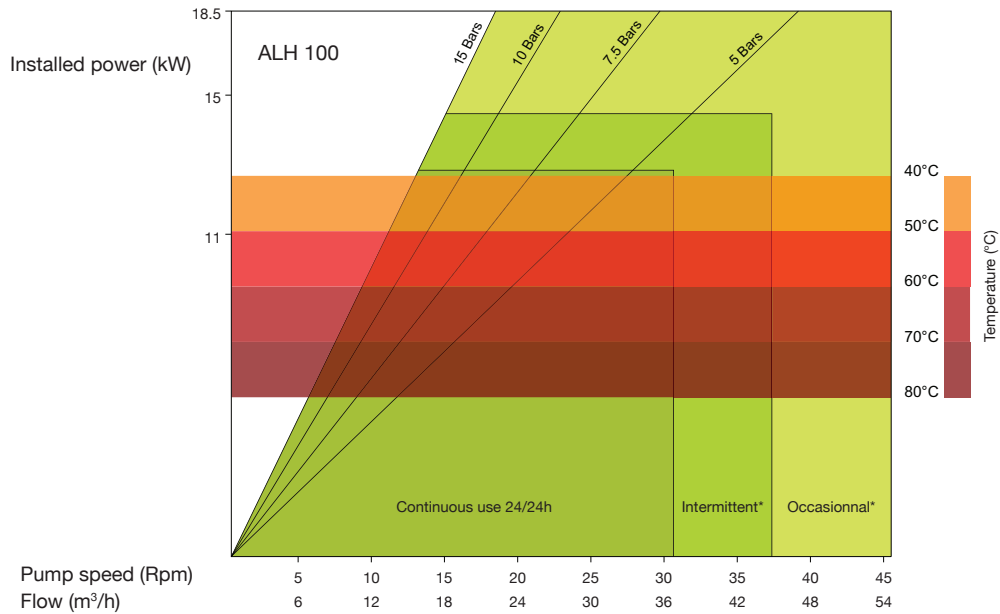
TYPE	A	B	C	D	E	F	G	H	I	J	K	L	M	N	O	P	Q
ALH 80	262	876	803	555	1320	690	830	345	1300	1400	4xø27	-	140,5	145	DN80 PN16	210	345



# ALH100 - DATA SHEET

# ALH

albin  
pump  
since 1928



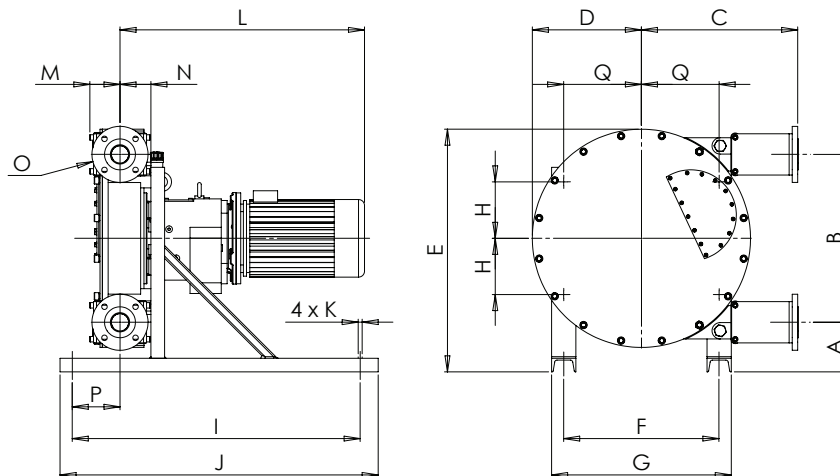
\*Intermittent use : minimum one hour stop after 2 hours run / \*Occasional use : maximum one hour a day

## SHOE SHIMMING TABLE - ALH100

Pressure in bar (psi)	Pump speed rpm	Number of shims
$\Delta P \leq 5$ (72,5)	0 to 15	0
	15 to 50	0
$5$ (72,5) $\leq \Delta P \leq 7,5$ (108,75)	0 to 15	2
	15 to 32,5	1
$7,5$ (108,75) $\leq \Delta P \leq 10$ (145)	0 to 15	3
	15 to 25	2
$10$ (145) $\leq \Delta P \leq 15$ (217,5)	0 to 15	4
	15 to 20	3

**Beware :** remove one shim if temperature exceeds 60° Celsius (140° Fahrenheit)

## DIMENSIONS

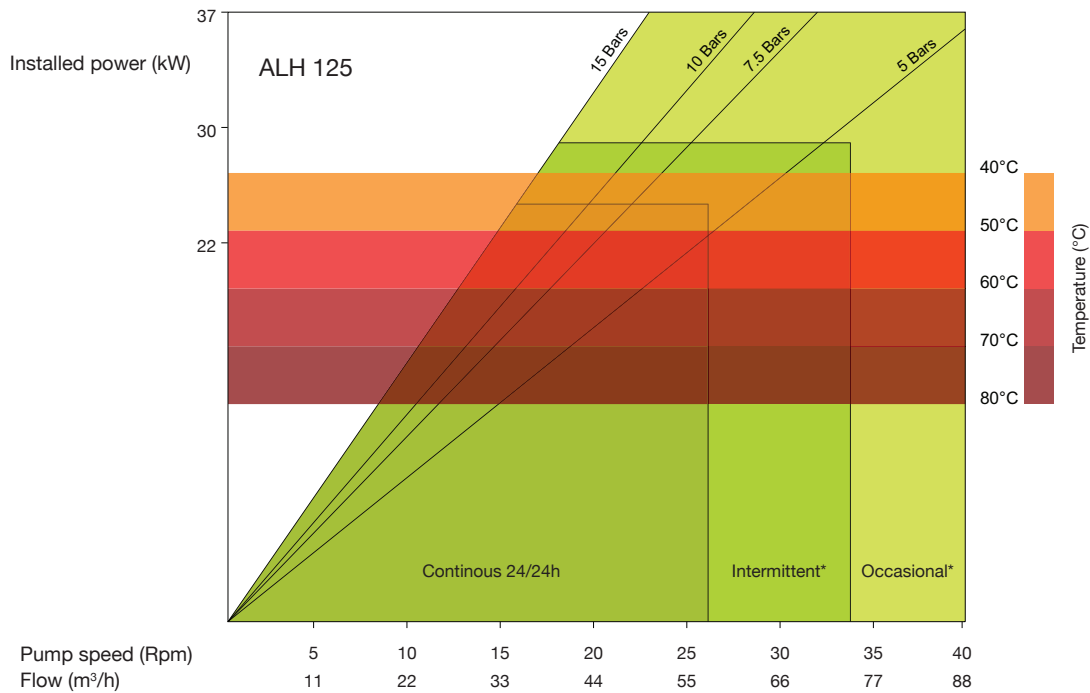


TYPE	A	B	C	D	E	F	G	H	I	J	K	L	M	N	O	P	Q
ALH100	300	1040	887	685	1680	820	960	410	1900	2000	4 x 27	-	170	174	DN100 PN16	295	410

# ALH125 - DATA SHEET

# ALH

albin  
pump  
since 1928

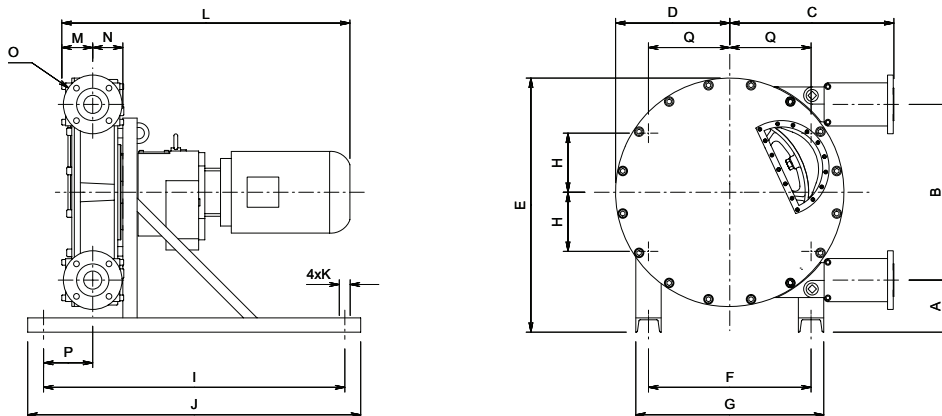


\*Intermittent use : minimum one hour stop after 2 hours run / \*Occasional use : maximum one hour a day

SHOE SHIMMING TABLE - ALH 125		
Pressure bar (psi)	Speed - Rpm	Number of shims - thickness 0.5 mm
$\Delta P \leq 5$ (72,5)	0 to 10	0
	10 to 35	0
$5$ (72,5) $\leq \Delta P \leq 7,5$ (108,75)	0 to 10	2
	10 to 27,5	1
$7,5$ (108,75) $\leq \Delta P \leq 10$ (145)	0 to 10	3
	10 to 25	2
$10$ (145) $\leq \Delta P \leq 15$ (217,5)	0 to 10	4
	10 to 20	3

**Beware :** remove one shim if temperature exceeds 60° Celsius (140° Fahrenheit)

## DIMENSIONS



TYPE	A	B	C	D	E	F	G	H	I	J	K	L	M	N	O	P	Q
ALH 125	263,5	1273	1038	785	1750	1000	1140	500	1900	2000	4xø27	-	300	232	DN125 PN16	660	500

**GB**

**ALBIN PUMP SAS**

Z.I. du Meyrol  
6, Avenue du Meyrol  
F-26200 MONTELIMAR  
FRANCE  
Tel +33 (0) 4 75 90 92 92  
Fax +33 (0) 4 75 90 92 40  
courrier@albinpump.fr  
www.albinpump.com

For more information about our worldwide locations, approvals, certifications, and local representatives, please visit [www.albinpump.com](http://www.albinpump.com).  
ALBIN PUMP reserves the right to incorporate our latest design and material changes without notice or obligation.  
Design features, materials of construction and dimensional data, as described in this bulletin, are provided for your information only and should not be relied upon unless confirmed in writing.  
Certified drawings are available upon request. © 2008 ALBIN PUMP